

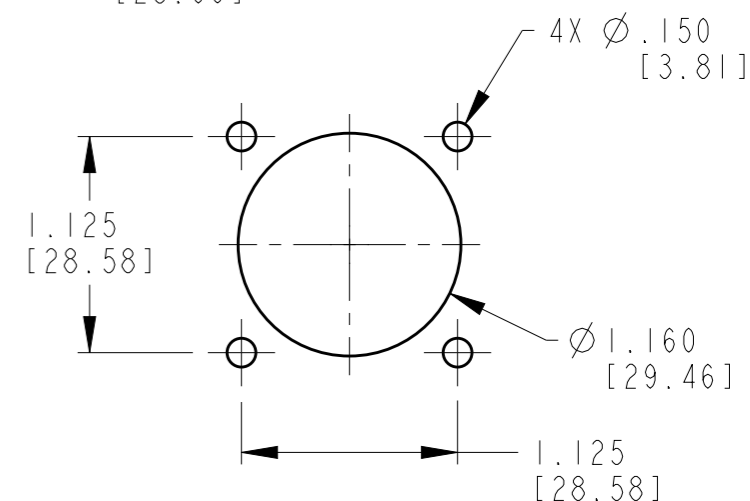
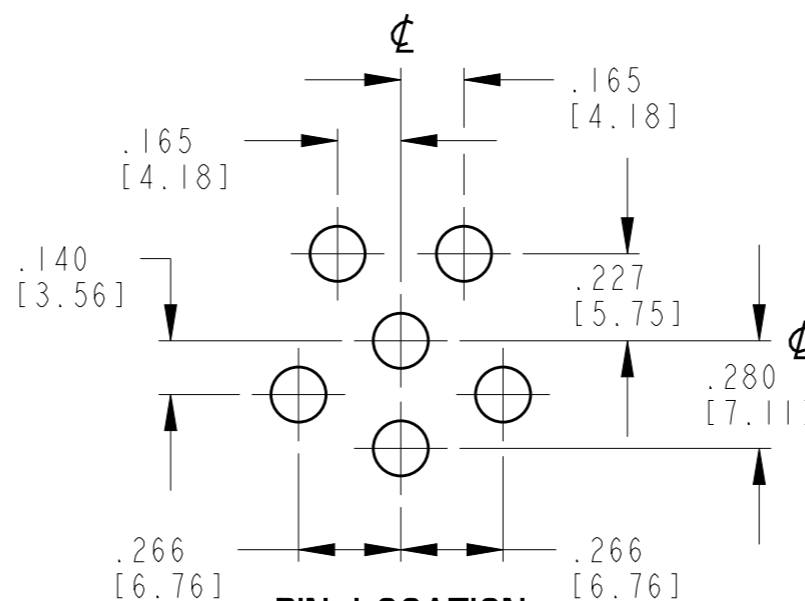
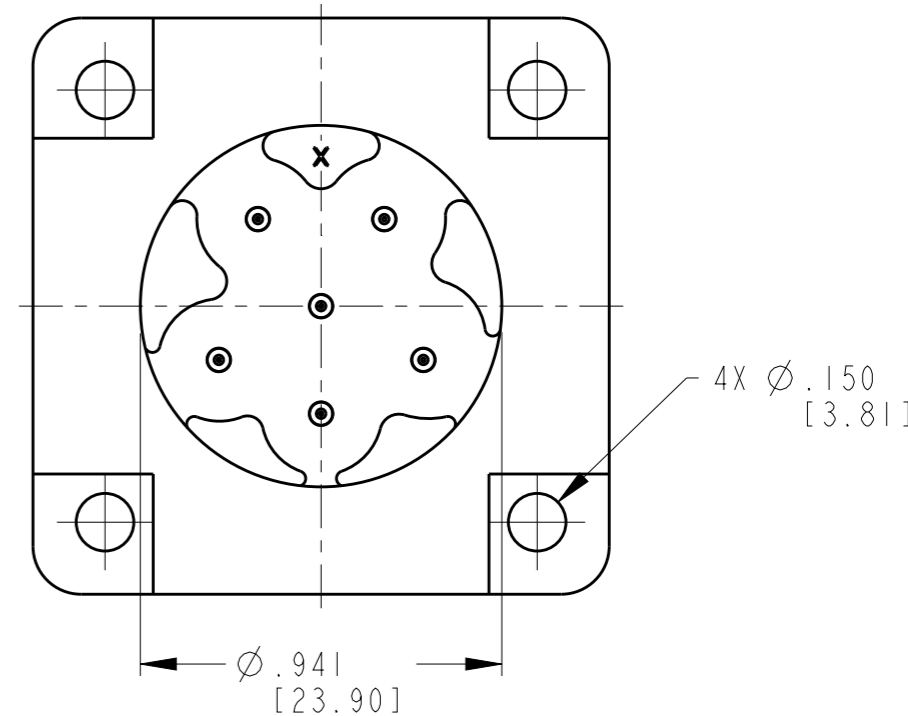
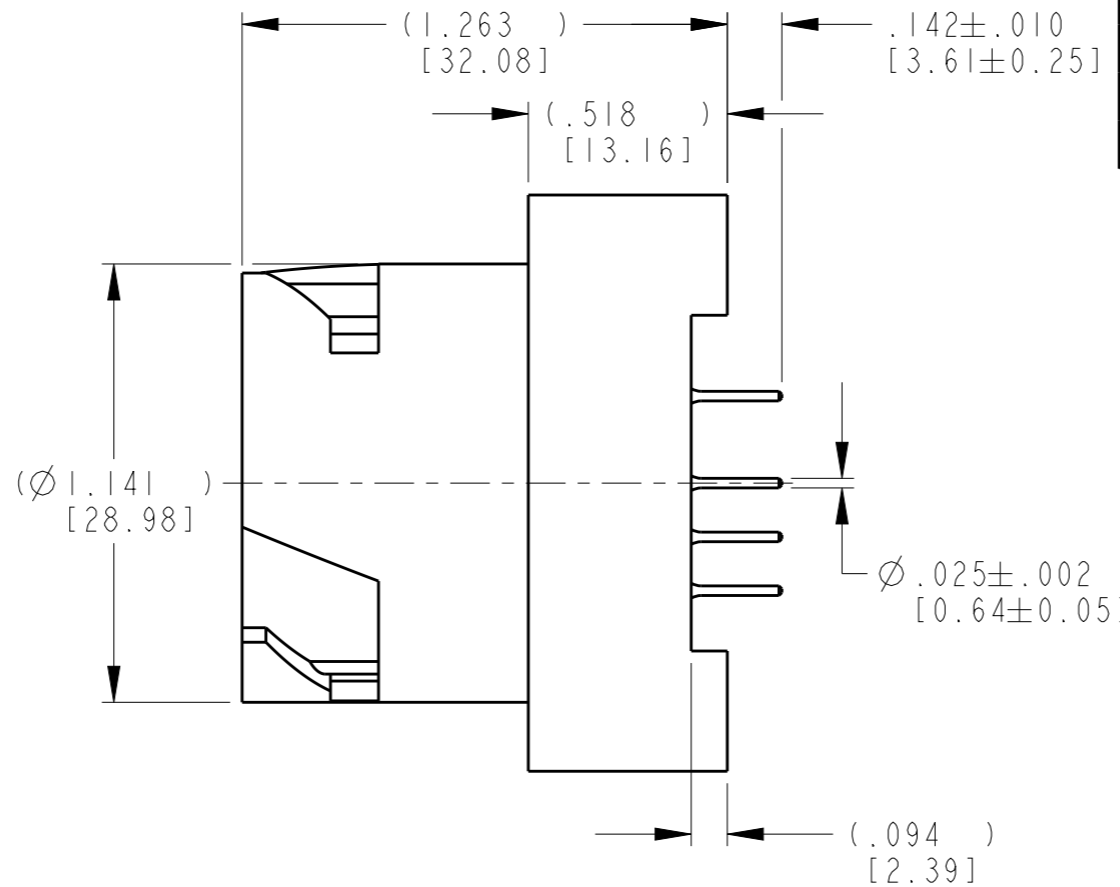
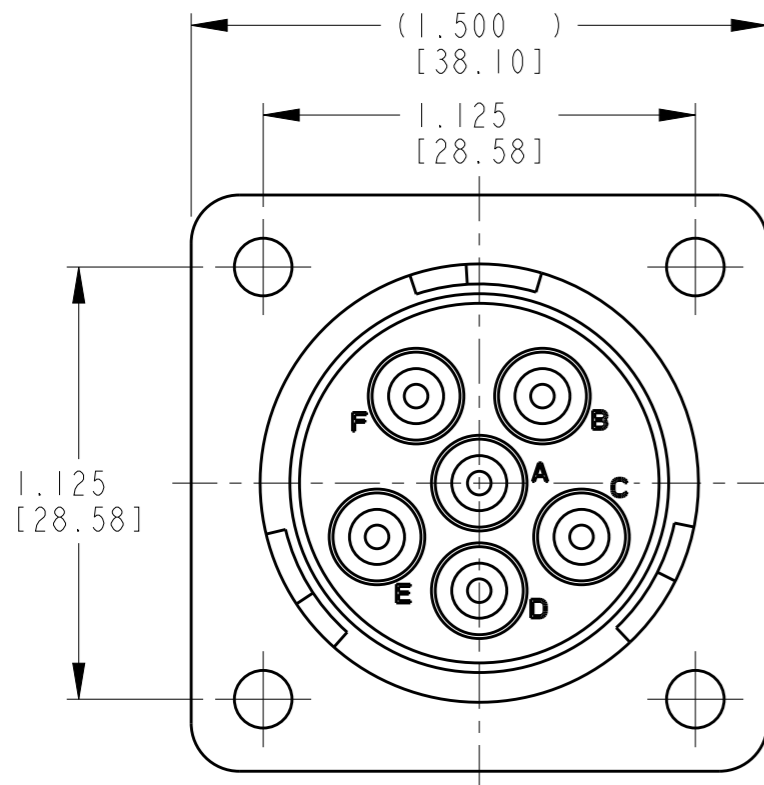
THIS DRAWING IS UNPUBLISHED
 (C) COPYRIGHT 1992 BY TE CONNECTIVITY ALL RIGHTS RESERVED.

RELEASED FOR PUBLICATION 2015

LOC DIST

REVISIONS

P	LTR	DESCRIPTION	DATE	DWN	APVD
NC		NEW RELEASE PER E.O. A13799	08MAY1992	CW	JA
A		REVISED PER E.O. A13822	19JUN1992	CW	JA
B		REDRAWN AND REVISED PER ECO-15-011302	15DEC2015	JA	DM



3 CONTACT PLATING: MATING SIDE AND PCB SIDE: TIN (ROHS COMPLIANT) OVER NICKEL.

2 HOUSING MATERIAL: PPS 40% GF (BLACK)

1. THIS RECEPTACLE MATES WITH HD16-6-96SX-XXXX (XXXX = ALL MODIFICATIONS) CONSULT FACTORY FOR MODIFICATIONS.

NOTES: UNLESS OTHERWISE SPECIFIED

TE INTERNAL PN	DEUTSCH PN
HD10-6-96P-N005	HD10-6-96P-N005

THIS DRAWING IS A CONTROLLED DOCUMENT.		DWN 01MAY1992 CLARK WOODRUFF	TE Connectivity	
DIMENSIONS: INCHES [mm]		CHK 10MAY1992 CLARK WOODRUFF		
TOLERANCES UNLESS OTHERWISE SPECIFIED:		APVD 19MAY1992 JEFF ALBERS	NAME RECEPTACLE PCB MOUNT 6-96 ARRANGEMENT, -N005 MOD HD10 SERIES	
0 PLC ± 1 PLC ± 2 PLC ± 3 PLC ±.005 [0.13] 4 PLC ± ANGLES ±		PRODUCT SPEC N/A	SIZE A3	
MATERIAL ∆2		APPLICATION SPEC N/A	CAGE CODE 4AFU8	DRAWING NO HD10-6-96P-N005
FINISH ∆3		WEIGHT 41.12g	RESTRICTED TO GEN	SCALE 2:1
		Customer Drawing	SHEET 1 OF 1	REV B